

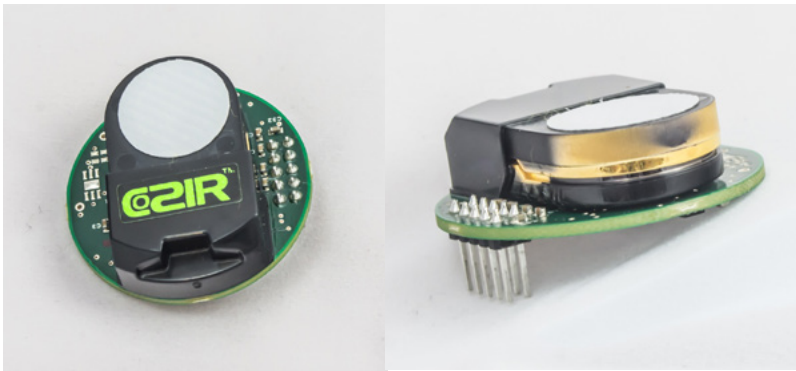


CozIR[®]-A CO2 Sensor

📈 Measurement range: 0-2000ppm; 0-5000ppm; 0-1%

🔋 Battery applications ⚡ Low power

🕒 Long lifetime 🌡️ Temp & RH%



Overview

CozIR[®]-A is a low power CO₂ sensor, which makes it ideal for battery powered systems, including portable, wearable and self-powered applications.

Designed for measuring low levels of CO₂, the sensor also offers optional temperature and RH% sensing.

CozIR[®]-A is built on our unique patented LED technology platform and optical designs. It's this solid-state technology that enables best-in-class power consumption, lifetime and durability.

Applications

CozIR[®]-A is designed for low concentration CO₂ environments, with measurement ranges from 0-2000ppm, 0-5000ppm and 0-1%.

The sensor is suitable for battery applications, and systems where low power consumption is required. This includes IoT applications, such as 'smart homes' and 'smart cities'.

Examples of markets where CozIR[®]-A CO₂ sensors are being successfully used:

- Indoor air quality (IAQ)
- Building control
- Food packaging
- Automotive
- Safety
- HVAC
- Horticulture & agriculture
- Instrumentation
- Aerospace

Benefits

- Ideal for low power and battery applications
- Up to 50X lower power than typical NDIR CO₂ sensors
- Low maintenance
- Suitable for wireless, portable, wearable and self-powered systems
- Integrates with wireless IoT networks such as ZigBee, Wifi, LoRa, Bluetooth, SigFox and EnOcean
- Supports energy-efficient 'smart buildings' & 'smart homes'

Features

- Low power/energy consumption - 3.5mW
- Measures up to 1% CO₂ concentration
- >15 years lifetime
- Optional temperature and RH% sensing
- Solid-state - no moving parts, no heated filaments
- Vibration and shock resistant
- Non-heating
- Self-calibrating¹
- Digital (UART) and optional analogue (Voltage) output
- RoHS compliant
- Manufactured in the UK



General performance

Start-up time²	1.2 secs
Operating conditions- Temperature	0°C to 50°C (standard) -25°C to 55°C (extended range)
Operating conditions- Humidity³	0 to 95% RH, non-condensing
Recommended storage	-30°C to +70°C

CO2 measurement

Sensing method	Solid-state Non-Dispersive InfraRed (NDIR) absorption Patented solid-state LED and detector Patented gold-plated optics
Sample method	Diffusion
Measurement range	0-2000ppm 0-5000ppm 0-1%
Accuracy⁴	± (50ppm+3% of reading)
Calibration	Autocalibration ⁵
Non-linearity (voltage output)	< 1% of FS
Pressure dependence⁶	0.15% of reading per mbar in normal atmospheric conditions
Operating pressure range⁷	500mbar – 10 bar 900-1100mbar with (T and RH)
Response time (to a step change in gas level)⁸	30 secs - 3 mins

Electrical

Power input⁹	3.25 to 5.5V. (3.3V recommended) Peak Current 33mA Average Current <1.5mA
Power consumption⁹	3.5mW
Connector	2x5 2.54mm header ¹⁰ (view from connector/underside)
Communication	UART (standard) Voltage (alternative output)

Warranty

Sensor warranty¹¹	1 year
-------------------------------------	--------

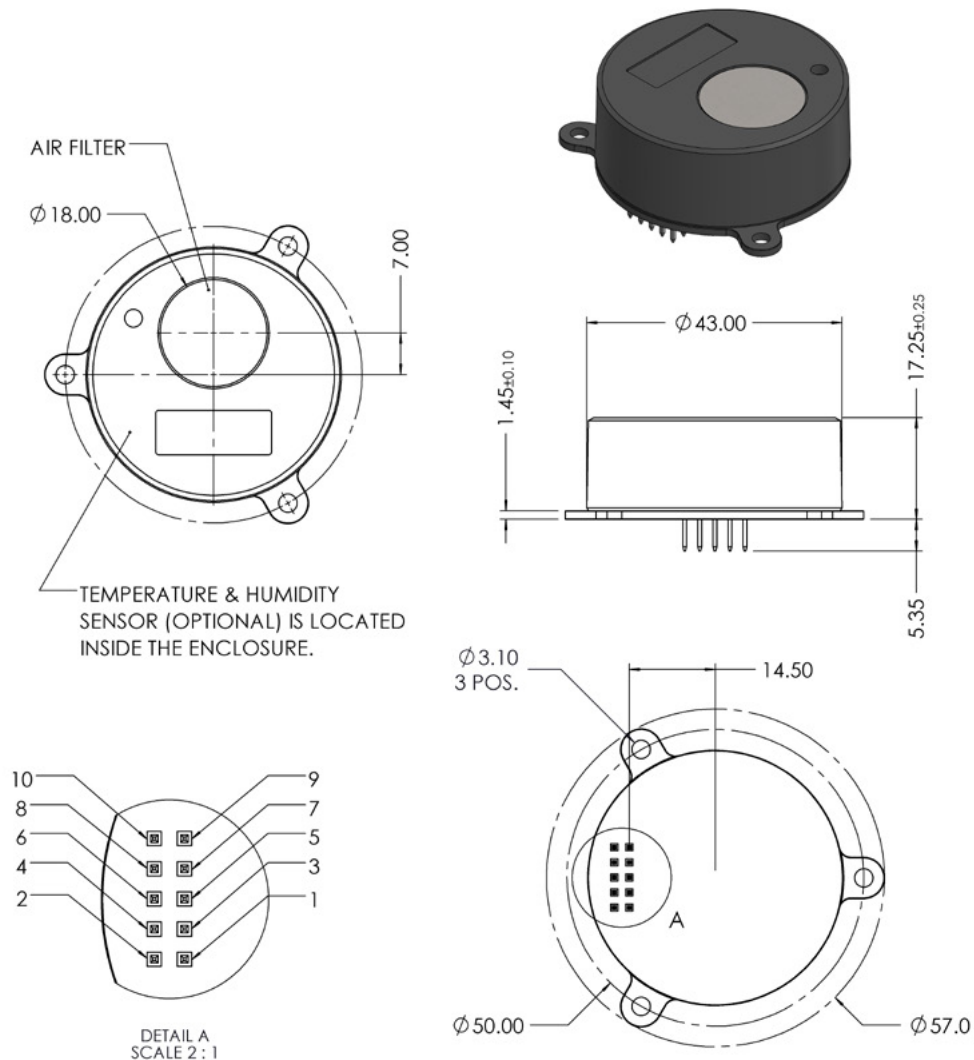
Optional Temperature & RH% Measurement¹²

Sensing method	RH%: Capacitive Temperature: Bandgap
Measurement range	25 to +55 °C 0 to 95% RH
Output	Digital only (not analogue)
Resolution	0.08 °C 0.08% RH
Absolute Accuracy	+/- 1 °C 0°C to 55°C. +/- 3% RH 20°C to 55°C. +/- 2 °C over full temperature range +/- 5% RH over full temperature range
Repeatability	+/- 0.1 °C +/- 0.1 % RH

- 1** Autocalibration is enabled by default.
- 2** Time to a valid reading is determined by digital filter setting. Typically 4-8 seconds.
- 3** For extended operation in high temperature and humidity environments, contact GSS
- 4** All measurements are at NTP unless stated otherwise.
- 5** For correct operation, the sensor must experience CO2 concentrations close to fresh air at some time in an 8 day period. For further details, please [contact us](#) to request our application note on Autocalibration.
- 6** Calibrated for 1013mbar. External pressure calibration required but our sensors have been tested up to 40 bar.
- 7** GSS can supply advanced pressure correction advice when operating outside normal atmospheric conditions.
- 8** Response time to a step change in gas level is dependent on application/filter/flow rate/diffusion.
- 9** Power measurements for standard CO2 sensor with 2 readings per second. Temperature and RH% measurements increase power consumption.
- 10** Part no: BF041-10-C-0685-0295-N-G
- 11** Gas Sensing Solutions Ltd (GSS Ltd) offers a limited one (1) year manufacturer's warranty on its products commencing from the date of original purchase. The warranty is limited to defects in materials and workmanship and does not cover damage or abnormal wear and tear resulting from abuse, misuse, or accidental damage. The warranty excludes operational damage due to exposure to blasts or other threats such as excessive abrasion or flames. Unauthorized repairs or alterations void the product warranty. GSS Ltd cannot and does not assume liability for defective products not manufactured or supplied by it even though such be used in conjunction with products manufactured by GSS Ltd.
- 12** Temperature and RH% sensing derived from Sensirion SHT21 chip. Please [contact us](#) to request the datasheet.

Technical drawings

THIS INFORMATION SUPPLIED BY GSS IS BELIEVED TO BE ACCURATE AND RELIABLE. HOWEVER NO RESPONSIBILITY IS ASSUMED BY GSS LTD FOR ITS USE.



FUNCTION	PIN #	PIN #	FUNCTION
FRESH AIR ZERO	10	9	ANALOGUE OUTPUT
NITROGEN ZERO	8	7	SENSOR Tx (OUT)
GND	6	5	SENSOR Rx (IN)
GND	4	3	+3.3V
N/C	2	1	GND

NOTE: ONLY ONE GND CONNECTION IS REQUIRED.

Put it to the test

Our evaluation kit contains everything you need to test the sensor for your project requirements. The USB cable allows you to easily connect the CozIR®-A sensor to your PC, for real-time CO2 readings.

- CO2 sensor (including adapter if specified)
- USB connecting cable
- Evaluation guide on USB stick

Please visit our website to [request a quote](#) for an evaluation kit.

Technical support

The GSS team are specialists in CO2 sensor design, manufacture and customisation. We can advise how best to integrate our award-winning sensors into your product or process. Whether it's a fixed unit, portable instrument, wearable device, or energy harvester, our engineering team have the experience to help bring your project to life.

For more information about GSS and our technology, please visit our [About](#) page.

Custom sensors

If you need the sensor to be altered to your specific requirements, our engineering team can develop a custom solution for you. Please [contact us](#) to discuss your project requirements with our engineering department.

This documentation is provided on an as-is basis and no warranty as to its suitability or accuracy for any particular purpose is either made or implied. Gas Sensing Solutions Ltd will not accept any claim for damages howsoever arising as a result of use or failure of this information. Your statutory rights are not affected. This information is not intended for use in any medical appliance, device or system in which the failure of the product might reasonably be expected to result in personal injury. As GSS is committed to continuous improvement, this document provides information that may be subject to change without notice.

Document version no: **24/07/18-001**