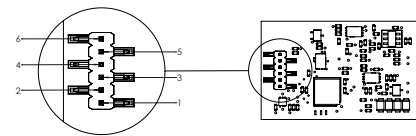
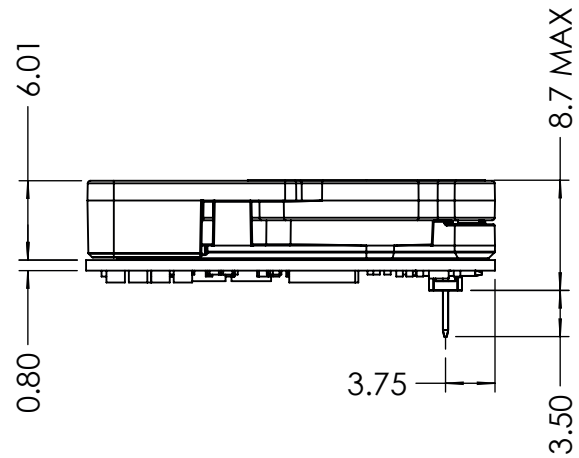
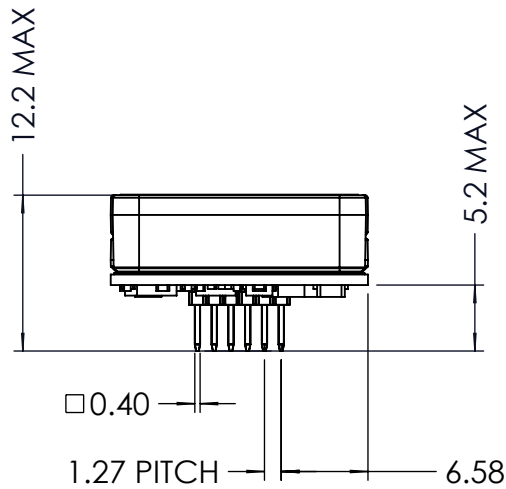
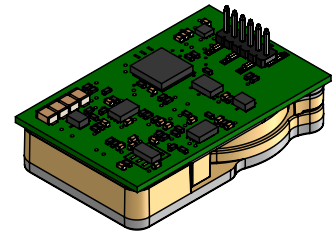
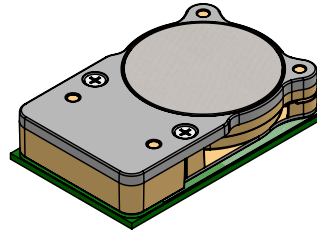
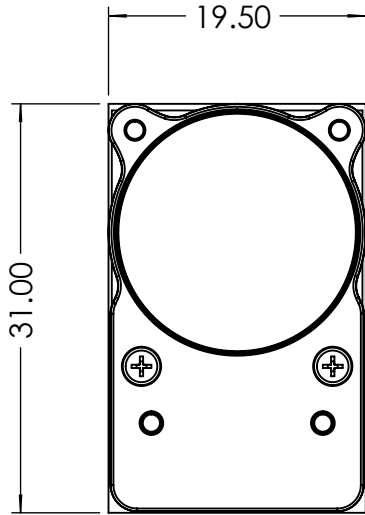


Mechanical Diagram



Bottom View

Pin Out Description

Pin	Name	Type	Description
1	GND	Supply	Sensor ground
2	VDD	Supply	Sensor supply voltage
3	Rx_In	Digital Input	UART receive input
4	Tx_Out	Digital Output	UART transmit output
5	N/C	Unused	-
6	N/C	Unused	-