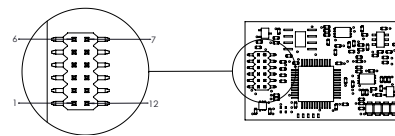
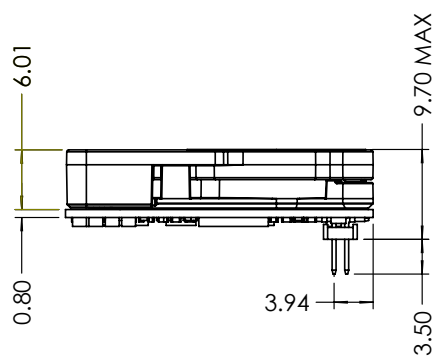
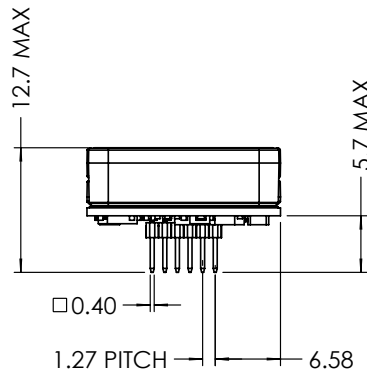
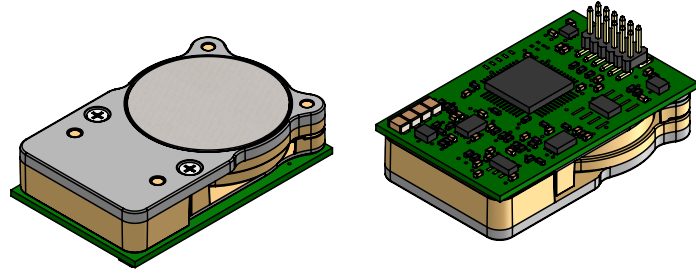
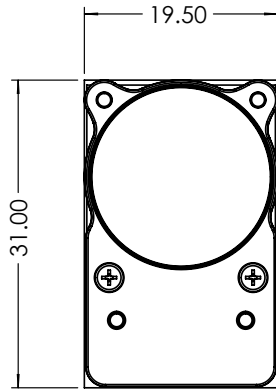


@2IR[®]-Blink

Mechanical Diagram



Bottom View

Pin Out Description

Pin	Name	Type	Description
1	GND	Supply	Sensor ground
2	VDD	Supply	Sensor supply voltage
3	Rx_In	Digital Input	UART receive input
4	Tx_Out	Digital Output	UART transmit output
5	N/C	Unused	-
6	Ready	Digital Output	Output
7	N/C	Unused	-
8	N/C	Unused	-
9	N/C	Unused	-
10	I ² C_ENABLE	Digital Input	Set low for I ² C interface mode. Leave floating to select UART interface mode. Pin status detected at power on.
11	I ² C_SCL	Digital Input	I ² C serial clock input. Open drain, external 4.7kΩ (required) resistor pulled high to VDD
12	I ² C_SDA	Digital Input/Output	I ² C serial data input/output. Open drain, external 4.7kΩ resistor (required) pulled high to VDD