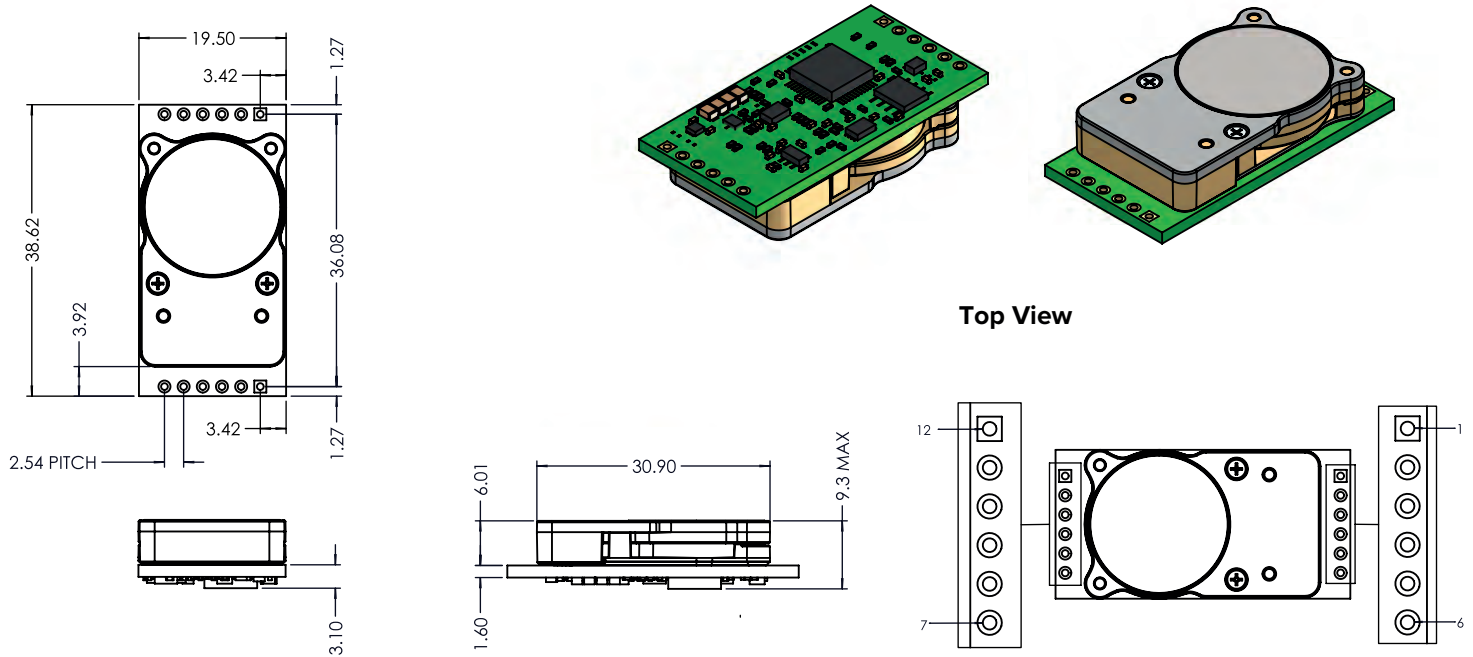


@2IR®-Blink

Mechanical Diagram



Pin Out Description

| Pin | Name | Type | Description |
|-----|------------|----------------------|--|
| 1 | GND | Supply | Sensor ground |
| 2 | VDD | Supply | Sensor supply voltage |
| 3 | NC | Unused | Do not connect (For internal use only) |
| 4 | PWR_ON | Digital Input | Sensor Power on Enable pin. - Power on – High - Power off – Low If unused, connect to VDD |
| 5 | ALARM | Digital Output | Alarm Output |
| 6 | READY | Digital Output | Data ready pin. Pulsed high when data ready |
| 7 | PWM/RS485 | Digital Output | PWM Output Or Direction control to drive external half duplex RS485 transceiver |
| 8 | I2C_ENABLE | Digital Input | Set low for I ² C interface mode. Leave floating to select UART interface mode. Pin status detected at power on |
| 9 | I2C_SCL | Digital Input | I ² C serial clock input. Open drain, external 4.7kΩ resistor pulled high to VDD required |
| 10 | I2C_SDA | Digital Input/Output | I ² C serial data input/output. Open drain, external 4.7kΩ resistor pulled high to VDD required |
| 11 | TX_OUT | Digital Output | UART Transmit Output |
| 12 | RX_IN | Digital Input | UART Receive Input |