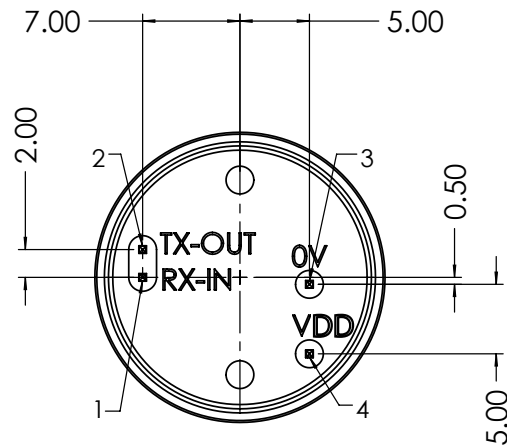
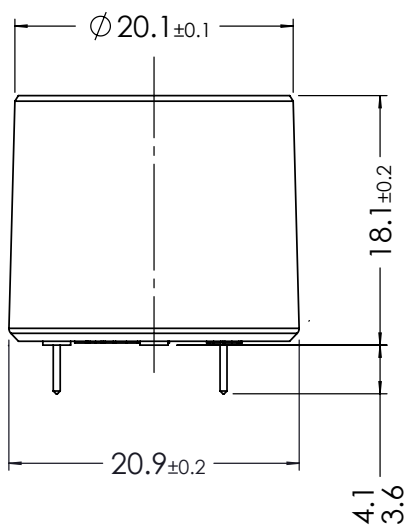
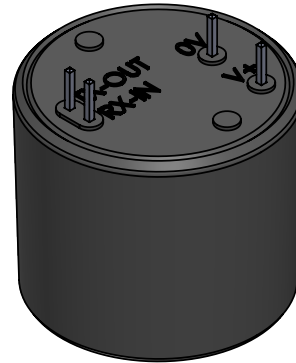


Explor[®] IR-M

Mechanical Diagram



weight = ~8g

Pin Out Description

Pin	Name	Type	Description
1	Rx_In	Digital Input	UART receive input
2	Tx_Out	Digital Output	UART transmit output
3	GND	Supply	Sensor ground
4	VDD	Supply	Sensor supply voltage